

Integrated Processors

for

Motion-Picture Films

The Integrated Processing Machine range is Photomec's premier product line for motion-picture film laboratories.



All models in this range benefit from Photomec's wet-section rack-lift system which, at the press of a button, allows the entire wet-section of the film transport to be automatically raised clear of the processor baths for inspection and maintenance. This completely eliminates the need to strip out leader and manually remove solution laden racks, simplifying cleaning and inspection of components that are usually situated below solution level. With the racks in the elevated position, film leader can be run through the machine, to allow visual inspection of the moving mechanical parts and of the leader lacing.



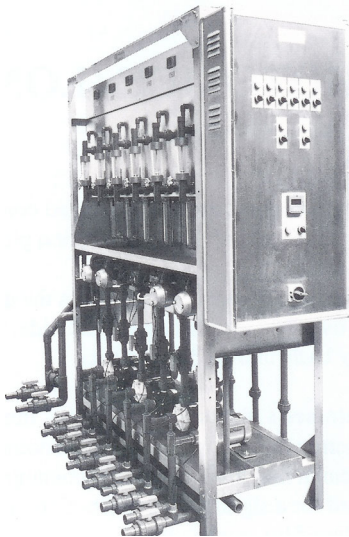
To further simplify maintenance, the processor baths and chassis are free of chemical control elements. These are all housed in a separate floor-standing chemical control unit (CCU). The CCU communicates with the operator's touch-screen control panel at the processing machine so that bath temperatures can be set and monitored in both locations.

Machine reliability, maintainability and operator safety are enhanced by use of Photomec's PIMOS management system. This uses an industrial programmable controller, with low voltage signalling and running Photomec firmware, to control and monitor all machine functions. Built-in diagnostics is standard while process data-logging and remote diagnostics are also available.

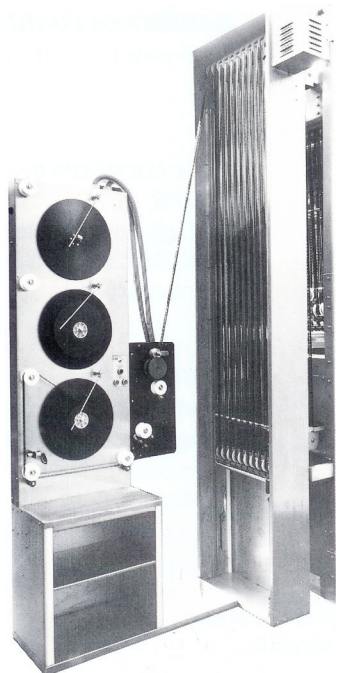
Integrated processors may be supplied for either daylight-loading or darkroom loading.



Daylight Loading	or	Darkroom Loading
Demand Drive	or	Sprocket Drive
Control and monitoring via Photomec's PIMOS management system with touch-screen controller		
Models available for all motion-picture processes, all motion-picture film gauges and to meet all productivity requirements		



Typical Chemical Control Unit



Typical Darkroom Loading Console

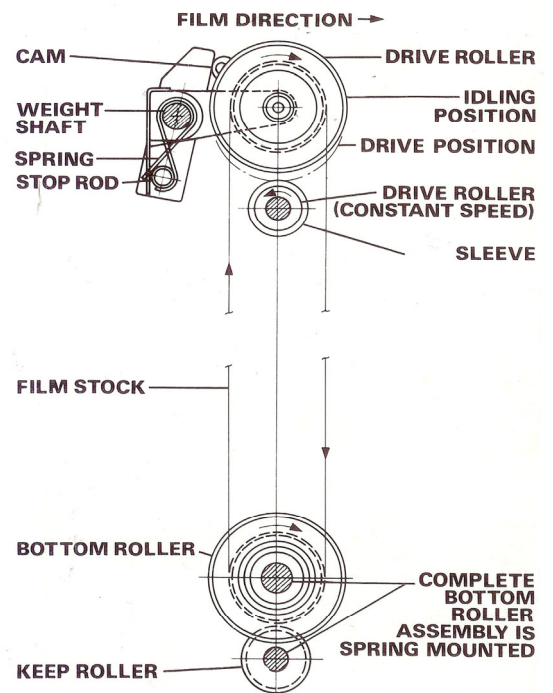
Some Integrated Processor Users

- ARRI
- August 1st Film Studios
- Barrandov Studios
- Bavaria Bild & Tonbearbeitung
- Beijing Film Laboratory
- Belarus Film Studio
- Changchun Film Studio
- Chilefilms
- Cinecolor do Brasil
- Cinecolor, Argentina
- Cinelabs Beijing
- CinePostProduction, Cologne
- CitéLab
- Deluxe London
- Deluxe Rome
- Deluxe Toronto
- Digital Film Lab
- Du Art Film Laboratory
- Eastman Kodak Company, Rochester
- Éclair
- Filmlab North
- Fotofilm Deluxe
- Gulliver
- I-Lab
- Kantana Film Laboratory
- Kodak Cinelabs Bulgaria
- Kodak Cinelabs Greece
- Kodak Cinelabs Mumbai
- Kodak Industrie
- Mandarin Film Laboratory
- Megacolor
- Mosfilm Studios
- Pearl River Film Studios
- Salamandra Creative Laboratory
- Shaw Brothers Studios
- Soho Images, Cape Town
- Soho Images, London
- Studio Post & Transfer
- Technicolor Montreal
- The Film Lab, Johannesburg
- Todd-AO Europe
- WFDiF

For dual gauge 16/35 mm Integrated processors at speeds up to 150 ft/min (2743 m/h) Photomec's demand-drive system is fitted as standard. This offers gentle and more consistent film handling than spring-centred systems, with proper tension control of every film loop.

Single-gauge sprocket drive systems are also available. These are fitted as standard on processors running at speeds above 150 ft/min (2743 m/h). For further details of these machines request information on our Silver Sprinter processors.

THE PHOTOMEC DEMAND DRIVE SYSTEM



The Photomec range of Integrated processors is recognised throughout the world as the 'state of the art' in motion picture laboratory engineering.

With over sixty years experience in the design and manufacture of continuous film processing machines, and with more than 1000 installations, Photomec's processing technology is at work worldwide on a daily basis.

Photomec's reputation for quality, innovative design, proven reliability and outstanding customer service has not gone unnoticed. The BKSTS has awarded a Fellowship for Research & Invention in Cinematographic Laboratory Disciplines and a Charles Parkhouse Award for a significant contribution to laboratory practices, particularly for the handling of modern film emulsions.

Please refer to our "General Specifications" and the relevant customer information drawing (CI) for further details. We'll be happy to provide a detailed offer after discussing your needs.

Photomec (London) Ltd

Valley Road Industrial Estate
St Albans
Herts AL3 6NU
England

Phone: +44 (0)1727-850711
Fax: +44 (0)1727-843991
E-mail: photomec@photomec.co.uk
Web: www.photomec.co.uk

